

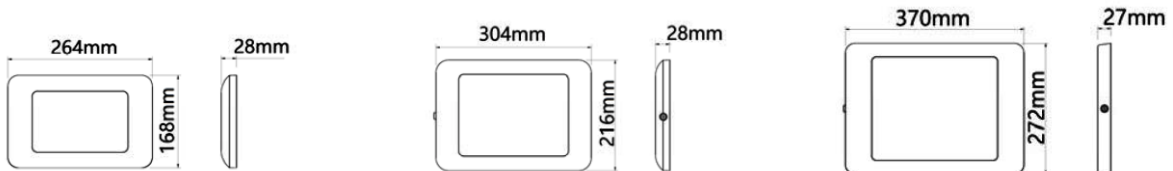
Specification and installation guide

The armourdog® LocPad anti-theft kiosk is a stylish and flexible way to protect your tablet from theft and damage in an open access area. The modular construction and simple design allows you to mount your tablet however you want; freestanding on the floor, wall mounted, or desk. There are a number of iterations available, and this guide will take you through the various options and how to install them.



Enclosure specifications

There are three sizes of tablet enclosure available, from the iPad Mini all the way up to the 12.9" iPad Pro. The 9" to 11" enclosure offers the most choice of tablet compatibility including Apple, Samsung, and Lenovo. We use an internal 'fit kit' with a specially fitted face plate to allow these various sized tablets to be securely held in place. These fit kits can be swapped out at a later date, allowing you to upgrade your tablet while retaining the same kiosk.



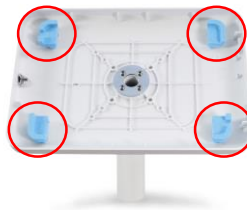
Kiosk Enclosure 7"-9"
Apple iPad mini 1/2/3
Apple iPad mini 4
ADLOC101W
Available now
Available now

Kiosk Enclosure 9"-11"
iPad 2/3/4
iPad Air 1 / iPad 2017
iPad Air 2 / Pro 9.7"
Galaxy Tab A9.7
Galaxy Tab A10.7
Galaxy Tab S9.7
Galaxy Tab E9.7
Galaxy Tab 3/4 10.1
Lenovo Tab 2/3 A10
ADLOC100W
Available now
Available now
Available now
Available now
Available now
Available now
Available now
Available now

Apple iPad Pro 12.9"
Apple iPad Pro 12.9"
ADLOC102W
Available now

'Fit kits' and faceplates

Fit kits and the associated faceplates can be ordered separately, but will usually be bundled with a complete kiosk pack. Faceplates are available with the tablet's camera and home buttons both covered or both open, depending on your security requirements. Fit kits and faceplates can easily be changed at a later date so you don't have to buy a whole new LocPad if you update your tablet.



Fit Kit to hold tablet securely in place



Tablet faceplate

Fit Kits for kiosk enclosure 7"-9"
Fit kit for Apple iPad Mini 1/2/3 ADFKC110
Fit kit for Apple iPad Mini 4 ADFKC111

Fit Kits for kiosk enclosure 9"-11"
Fit kit for Apple iPad 2/3/4 ADFKC108
Fit kit for Apple iPad Air 1 / iPad 2017 ADFKC109
Fit kit for Apple iPad Air 2 / iPad Pro 9.7 ADFKC102
Fit kit for Samsung Galaxy Tab A 9.7 ADFKC103
Fit kit for Samsung Galaxy Tab S2 9.7 ADFKC104
Fit kit for Samsung Galaxy Tab 3/4 10.1 ADFKC105
Fit kit for Lenovo Tab 2 A10 / Tab 3 A10 ADFKC106
Fit kit for Samsung Galaxy Tab A 10.7 ADFKC109
Fit kit for Samsung Galaxy Tab E 9.7 ADFKC113

Fit Kits for kiosk enclosure 11"-13"
Fit kit for Apple iPad Pro 12.9" ADFKC112

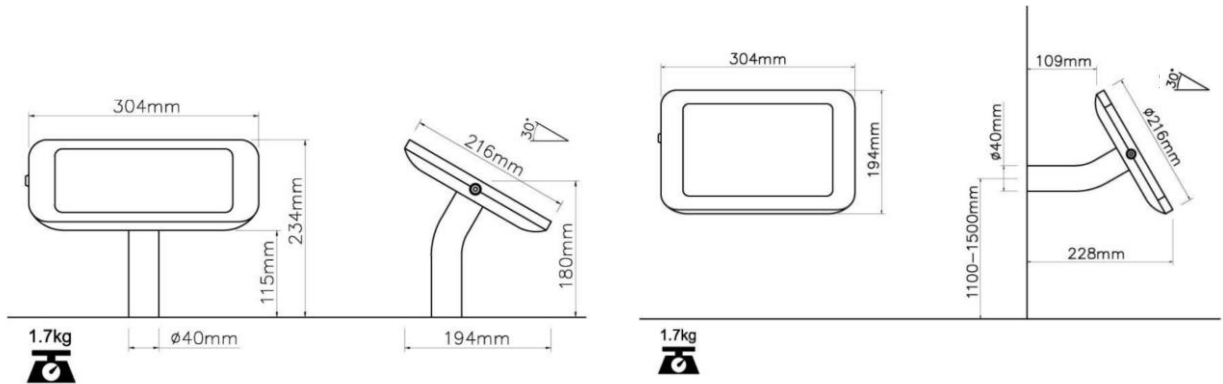
Faceplates for kiosk enclosure 7"-9"
Faceplate for Apple iPad Mini 1/2/3/4 with open camera & home ADFCC111
Faceplate for Apple iPad Mini 1/2/3/4 with covered camera & home ADFCC112

Faceplates for kiosk enclosure 9"-11"
Faceplate for all iPads with open camera & home ADFCC101
Faceplate for all iPads with covered camera & home ADFCC102
Faceplate for Tab A/S2 9.7 with open camera & home ADFCC103
Faceplate for Tab A/S2 9.7 with covered camera & home ADFCC104
Faceplate for Tab 3/4 10.1 with open camera & home ADFCC105
Faceplate for Tab 3/4 10.1 with covered camera & home ADFCC106
Faceplate for Lenovo Tab 2/3 A10 with open camera & home ADFCC107
Faceplate for Lenovo Tab 2/3 A10 with covered camera & home ADFCC108
Faceplate for Tab A 10.7 with open camera & home ADFCC109
Faceplate for Tab A 10.7 with covered camera & home ADFCC110
Faceplate for Tab E 9.7 with open camera & home ADFCC113
Faceplate for Tab E 9.7 with covered camera & home ADFCC114

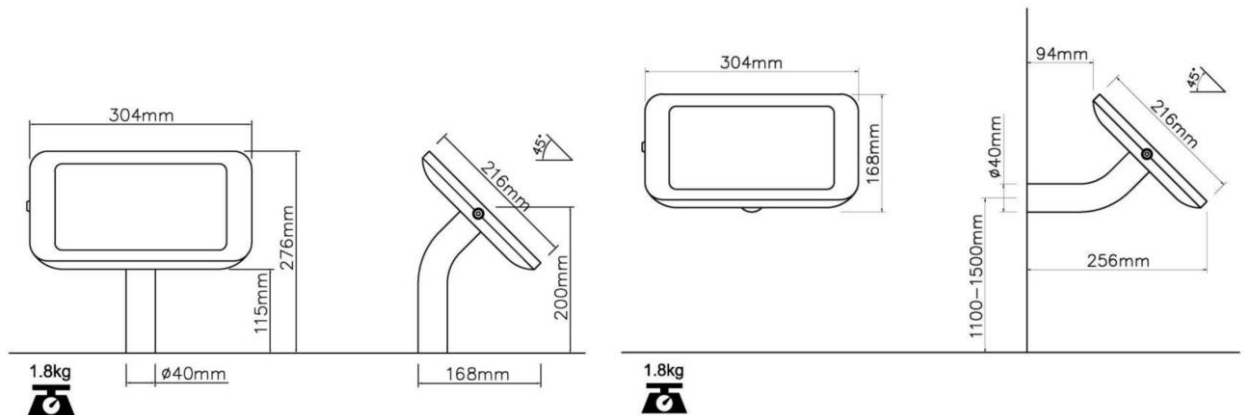
Mounting options

There are various mounting options for all three sizes of tablet enclosure. These are usually sold in a bundle with all of the components required for you to build a complete installation, but can be ordered separately if you wish to modify or upgrade your current LocPad. You can install the tablet onto the mount in a landscape or portrait orientation.

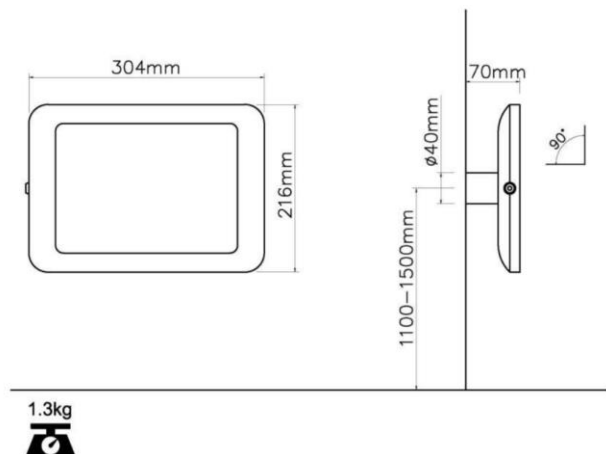
LocPad® 30° mounting tube. The 30° angled tube can be mounted onto a desk or wall and has a fairly shallow angle



LocPad® 45° mounting tube. The 45° angled tube can be mounted onto a desk or wall and has is the best 'all round' choice for most installations. If you're not sure which mount to use, the 45° mounting tube is usually the one to go for.



LocPad® wall mount. This short, 90° tube allows for easy configuration onto a solid or partition wall. When sold in a kiosk bundle, the wall mount is supplied with the 'screw mounting base' to allow for simple installation.

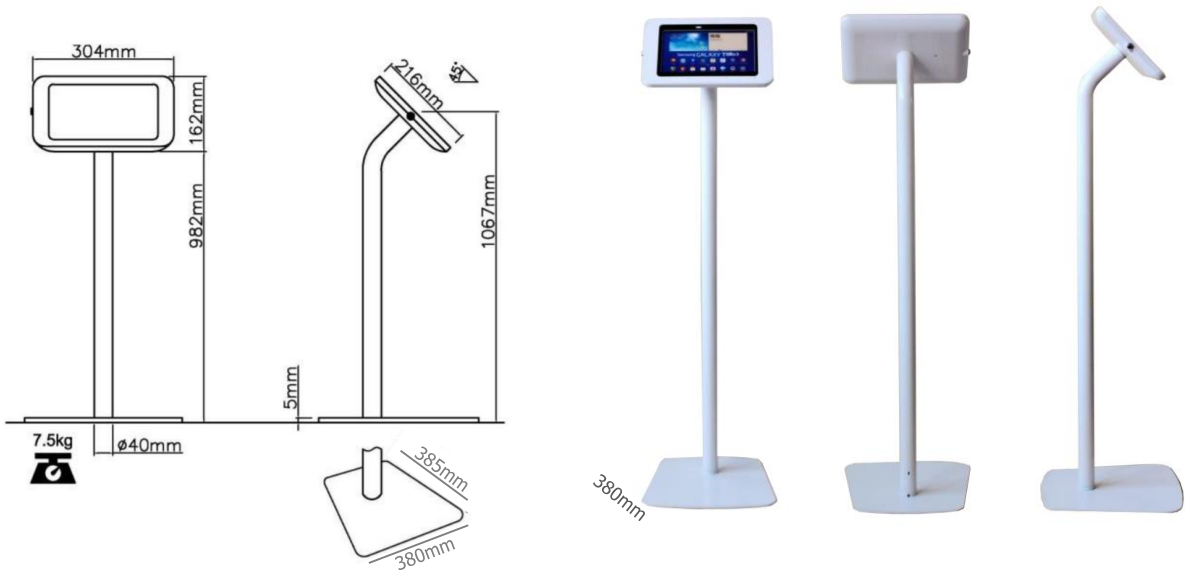


Individual Part codes

30° mounting tube	ADMTC102W
45° mounting tube	ADMTC103W
Freestanding desk base	ADTBC113W
Wall mount tube	ADMTC101W
'Gooseneck' mounting tube	ADMTC104W
Floor mounting tube	ADMTC105W
Floor freestanding base	ADTBC114W

Mounting options

LocPad® Freestanding floor mount. At just over 1 metre tall, the floor mount is the perfect solution to present information to the customer where a suitable desk or wall mount isn't possible. The pole can be bolted directly into the floor, but installation onto the supplied floor plate allows the tablet to be moved according to requirements. There is a Kensington lock point at the base of the pole for added security. Great for a larger display like the iPad Pro 12.9". We suggest using one of our extended charge cables to power the tablet.



LocPad® 'Gooseneck' mount. This flexible tube allows for a wide degree of movement, allowing the user to adjust the angle of the screen for their viewing comfort. The display can be bent right over backwards to show a customer the screen for instance. This mount is



Other mounting options are available on request such as a 60° angle desk / wall mount and a flexible wall mount. We can also manufacture to custom colour and company logo specifications (although a Minimum Order Quantity maybe required). If you have any specific requirements, please just give us a call to discuss.

Accessories



LocPad® Freestanding desk base

If you require your LocPad tablet kiosk to be mobile or simply don't want to drill holes into your desk / furniture, this base will allow you to do both. The heavy-duty steel base supports the kiosk completely without having to damage your office furniture.
PART CODE: ADTBC113W

LocPad® Rotating desk base

This optional base allows the user to rotate the LocPad around its lower mount point. Useful if you need to spin the kiosk round to show the screen contents to a customer. The base allows for approx. 300 degrees of motion.
PART CODE: ADLOC117W

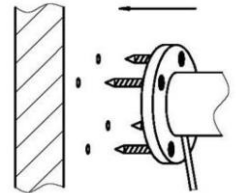


LocPad® Landscape / portrait mount

This optional kiosk mount allows the user to rotate the LocPad enclosure from landscape to portrait at will. The security of the enclosure is maintained while offering the flexibility of viewing positions.
PART CODE: ADLOC116W

LocPad® screw mount base.

The screw mount base allows you to secure the LocPad to a wall or desk without having to drill all the way through the surface to the other side. The screw mount base screws into the surface from above, then the LocPad attaches to the screw mount base. This is particularly useful with wall mount solutions where it's often not possible to drill all the way through the wall.
PART CODE: ADLOC115W



LocPad® Micro USB charge cable 3m with angled head

This micro USB charge cable is specially designed to fit within the LocPad tablet enclosure to keep your tablet charged. The 3m long cable allows you to place the LocPad away from your charge point. 3m long, micro USB to USB Type A. Most Galaxy tablets require a right handed head cable like this to fit in the security enclosure.
PART CODE: ADCBC118



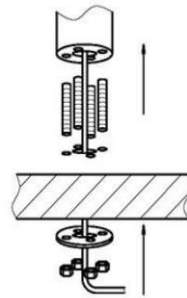
LocPad® Apple lightning charge cable. 3m with angled head

This Apple lightning charge cable is specially designed to fit within the LocPad tablet enclosure to keep your tablet charged. The 3m long cable allows you to place the LocPad away from your charge point. 3m long, Apple lightning connector to USB Type A.
PART CODE: ADCBC119

Installation guide

1) Secure the mounting tube

Line up the mounting tube and mark where you want to install it. Drill 4 screw holes and the central charge cable hole through the surface. You can use the round metal strengthening plate as a template to mark on the surface where you need to drill. Screw the four double headed screws into the tube all the way, then push the tube and screws into the drill holes. *Remember the power cable has to run through the hole in the middle of the tube, so ensure the middle drill hole is wide enough to pass a USB head through.* Secure the pole from the other side of the surface with the strengthening plate and the bolts provided as per the diagram.



NOTE! If your surface is not between 2.5 and 4.5cm thick or you can't access the other side surface, you need a LocPad screw mount base (ADLOC115W). You can attach the screw mount base to the surface from above, then screw the mounting pole to the base. There is no need to access the surface from behind to install in this case.

2) Attach the enclosure to the tube

Secure the enclosure chassis to the mount tube with the 4 x screws provided. Make sure you install the round metal strengthening plate behind the screws as highlighted in the picture. This is now a good time to ensure your charge cable is fed through the holes and in place



3) Install the fit kit

Install the four corners of the fit kit onto the predefined pegs of the enclosure. Make sure you install the corners the correct orientation, allowing for any indents for power switches / power cables etc.



4) Install the tablet

Connect the charging lead to the tablet and slot your tablet into the 'fit kit'. The tablet should fit perfectly into the fit kit. If it is not, check you have the fit-kit corners the correct way round. If the tablet doesn't fit at all, it's possible you have a fit-kit for another tablet brand. Give us a call.



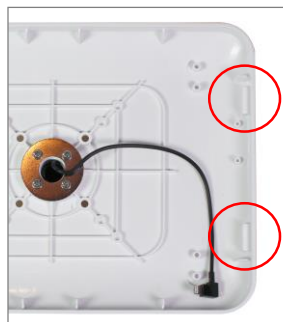
5) Lay the face plate over the tablet

Peel off the protective covering on the faceplate. Lay the plate on top of the tablet, ensuring it's on the right way round. The camera and home buttons (if selected) should clearly be in the correct place.



6) Install and lock the front metal enclosure plate

There are two hooks on the underside of the metal plate which should line up the appropriate receptacles on the rear part of the enclosure. Slot these in and pivot the rest of the metal plate down onto the enclosure, then press the barrel lock in to lock the face plate in place. Insert the key into the barrel lock and rotate to release the lock and allow the metal plate to be removed again.



Hook the metal front plate here.



Complete part code and price list

With the camera and home button exposed	Code	Price
LocPad anti-theft kiosk for iPad Air 1 / iPad 2017 (wall mount)	LPWM0101	£49.99
LocPad anti-theft kiosk for iPad Air 1 / iPad 2017 (30° mount)	LP300101	£54.99
LocPad anti-theft kiosk for iPad Air 1 / iPad 2017 (45° mount)	LP450101	£54.99
LocPad anti-theft kiosk for iPad Air 1 / iPad 2017 (goose neck)	LPGN0101	£59.99
LocPad anti-theft kiosk for iPad Air 1 / iPad 2017 (floor stand)	LPFS0101	£89.99
With the camera and home button covered	Code	Price
LocPad anti-theft kiosk for iPad Air 1 / iPad 2017 (wall mount)	LPWM0102	£49.99
LocPad anti-theft kiosk for iPad Air 1 / iPad 2017 (30° mount)	LP300102	£54.99
LocPad anti-theft kiosk for iPad Air 1 / iPad 2017 (45° mount)	LP450102	£54.99
LocPad anti-theft kiosk for iPad Air 1 / iPad 2017 (goose neck)	LPGN0102	£59.99
LocPad anti-theft kiosk for iPad Air 1 / iPad 2017 (floor stand)	LPFS0102	£89.99



Apple iPad Air 1
Apple iPad 2017

With the camera and home button exposed	Code	Price
LocPad anti-theft kiosk for iPad Air 2 / iPad Pro 9.7 (wall mount)	LPWM0201	£49.99
LocPad anti-theft kiosk for iPad Air 2 / iPad Pro 9.7 (30° mount)	LP300201	£54.99
LocPad anti-theft kiosk for iPad Air 2 / iPad Pro 9.7 (45° mount)	LP450201	£54.99
LocPad anti-theft kiosk for iPad Air 2 / iPad Pro 9.7 (goose neck)	LPGN0201	£59.99
LocPad anti-theft kiosk for iPad Air 2 / iPad Pro 9.7 (floor stand)	LPFS0201	£89.99
With the camera and home button covered	Code	Price
LocPad anti-theft kiosk for iPad Air 2 / iPad Pro 9.7 (wall mount)	LPWM0202	£49.99
LocPad anti-theft kiosk for iPad Air 2 / iPad Pro 9.7 (30° mount)	LP300202	£54.99
LocPad anti-theft kiosk for iPad Air 2 / iPad Pro 9.7 (45° mount)	LP450202	£54.99
LocPad anti-theft kiosk for iPad Air 2 / iPad Pro 9.7 (goose neck)	LPGN0202	£59.99
LocPad anti-theft kiosk for iPad Air 2 / iPad Pro 9.7 (floor stand)	LPFS0202	£89.99



Apple iPad Air 2
Apple iPad Pro 9.7"

With the camera and home button exposed	Code	Price
LocPad anti-theft kiosk for Apple iPad 2/3/4 (wall mount)	LPWM0701	£49.99
LocPad anti-theft kiosk for Apple iPad 2/3/4 (30° mount)	LP300701	£54.99
LocPad anti-theft kiosk for Apple iPad 2/3/4 (45° mount)	LP450701	£54.99
LocPad anti-theft kiosk for Apple iPad 2/3/4 (goose neck)	LPGN0701	£59.99
LocPad anti-theft kiosk for Apple iPad 2/3/4 (floor stand)	LPFS0701	£89.99
With the camera and home button covered	Code	Price
LocPad anti-theft kiosk for Apple iPad 2/3/4 (wall mount)	LPWM0702	£49.99
LocPad anti-theft kiosk for Apple iPad 2/3/4 (30° mount)	LP300702	£54.99
LocPad anti-theft kiosk for Apple iPad 2/3/4 (45° mount)	LP450702	£54.99
LocPad anti-theft kiosk for Apple iPad 2/3/4 (goose neck)	LPGN0702	£59.99
LocPad anti-theft kiosk for Apple iPad 2/3/4 (floor stand)	LPFS0702	£89.99



Apple iPad 2
Apple iPad 3
Apple iPad 4

Complete part code and price list

With the camera and home button exposed	Code	Price
LocPad anti-theft kiosk for iPad Mini 2/3 (wall mount)	LPWM1001	£49.99
LocPad anti-theft kiosk for iPad Mini 2/3 (30° mount)	LP301001	£54.99
LocPad anti-theft kiosk for iPad Mini 2/3 (45° mount)	LP451001	£54.99
LocPad anti-theft kiosk for iPad Mini 2/3 (goose neck)	LPGN1001	£59.99
LocPad anti-theft kiosk for iPad Mini 2/3 (floor stand)	LPFS1001	£89.99
With the camera and home button covered	Code	Price
LocPad anti-theft kiosk for iPad Mini 2/3 (wall mount)	LPWM1002	£49.99
LocPad anti-theft kiosk for iPad Mini 2/3 (30° mount)	LP301002	£54.99
LocPad anti-theft kiosk for iPad Mini 2/3 (45° mount)	LP451002	£54.99
LocPad anti-theft kiosk for iPad Mini 2/3 (goose neck)	LPGN1002	£59.99
LocPad anti-theft kiosk for iPad Mini 2/3 (floor stand)	LPFS1002	£89.99



Apple iPad Mini 2
Apple iPad Mini 3

With the camera and home button exposed	Code	Price
LocPad anti-theft kiosk for iPad Mini 4 (wall mount)	LPWM1101	£49.99
LocPad anti-theft kiosk for iPad Mini 4 (30° mount)	LP301101	£54.99
LocPad anti-theft kiosk for iPad Mini 4 (45° mount)	LP451101	£54.99
LocPad anti-theft kiosk for iPad Mini 4 (goose neck)	LPGN1101	£59.99
LocPad anti-theft kiosk for iPad Mini 4 (floor stand)	LPFS1101	£89.99
With the camera and home button covered	Code	Price
LocPad anti-theft kiosk for iPad Mini 4 (wall mount)	LPWM1102	£49.99
LocPad anti-theft kiosk for iPad Mini 4 (30° mount)	LP301102	£54.99
LocPad anti-theft kiosk for iPad Mini 4 (45° mount)	LP451102	£54.99
LocPad anti-theft kiosk for iPad Mini 4 (goose neck)	LPGN1102	£59.99
LocPad anti-theft kiosk for iPad Mini 4 (floor stand)	LPFS1102	£89.99



Apple iPad Mini 4

With the camera and home button exposed	Code	Price
LocPad anti-theft kiosk for iPad Pro 12.9 (wall mount)	LPWM1200	£54.99
LocPad anti-theft kiosk for iPad Pro 12.9 (30° mount)	LP301200	£59.99
LocPad anti-theft kiosk for iPad Pro 12.9 (45° mount)	LP451200	£59.99
LocPad anti-theft kiosk for iPad Pro 12.9 (goose neck)	LPGN1200	£64.99
LocPad anti-theft kiosk for iPad Pro 12.9 (floor stand)	LPFS1200	£99.99



Apple iPad Pro 12.9"

Complete part code and price list

With the camera and home button exposed	Code	Price
LocPad anti-theft kiosk for Samsung Galaxy Tab S2 9.7 (wall mount)	LPWM0401	£49.99
LocPad anti-theft kiosk for Samsung Galaxy Tab S2 9.7 (30° mount)	LP300401	£54.99
LocPad anti-theft kiosk for Samsung Galaxy Tab S2 9.7 (45° mount)	LP450401	£54.99
LocPad anti-theft kiosk for Samsung Galaxy Tab S2 9.7 (goose neck)	LPGN0401	£59.99
LocPad anti-theft kiosk for Samsung Galaxy Tab S2 9.7 (floor stand)	LPFS0401	£89.99
With the camera and home button covered	Code	Price
LocPad anti-theft kiosk for Samsung Galaxy Tab S2 9.7 (wall mount)	LPWM0402	£49.99
LocPad anti-theft kiosk for Samsung Galaxy Tab S2 9.7 (30° mount)	LP300402	£54.99
LocPad anti-theft kiosk for Samsung Galaxy Tab S2 9.7 (45° mount)	LP450402	£54.99
LocPad anti-theft kiosk for Samsung Galaxy Tab S2 9.7 (goose neck)	LPGN0402	£59.99
LocPad anti-theft kiosk for Samsung Galaxy Tab S2 9.7 (floor stand)	LPFS0402	£89.99



Samsung Galaxy Tab S2 9.7"

With the camera and home button exposed	Code	Price
LocPad anti-theft kiosk for Samsung Galaxy Tab 3/4 10.1 (wall mount)	LPWM0501	£49.99
LocPad anti-theft kiosk for Samsung Galaxy Tab 3/4 10.1 (30° mount)	LP300501	£54.99
LocPad anti-theft kiosk for Samsung Galaxy Tab 3/4 10.1 (45° mount)	LP450501	£54.99
LocPad anti-theft kiosk for Samsung Galaxy Tab 3/4 10.1 (goose neck)	LPGN0501	£59.99
LocPad anti-theft kiosk for Samsung Galaxy Tab 3/4 10.1 (floor stand)	LPFS0501	£89.99
With the camera and home button covered	Code	Price
LocPad anti-theft kiosk for Samsung Galaxy Tab 3/4 10.1 (wall mount)	LPWM0502	£49.99
LocPad anti-theft kiosk for Samsung Galaxy Tab 3/4 10.1 (30° mount)	LP300502	£54.99
LocPad anti-theft kiosk for Samsung Galaxy Tab 3/4 10.1 (45° mount)	LP450502	£54.99
LocPad anti-theft kiosk for Samsung Galaxy Tab 3/4 10.1 (goose neck)	LPGN0502	£59.99
LocPad anti-theft kiosk for Samsung Galaxy Tab 3/4 10.1 (floor stand)	LPFS0502	£89.99



Samsung Galaxy Tab 3 10.1"
Samsung Galaxy Tab 4 10.1"

With the camera and home button exposed	Code	Price
LocPad anti-theft kiosk for Samsung Galaxy Tab A 9.7 (wall mount)	LPWM0301	£49.99
LocPad anti-theft kiosk for Samsung Galaxy Tab A 9.7 (30° mount)	LP300301	£54.99
LocPad anti-theft kiosk for Samsung Galaxy Tab A 9.7 (45° mount)	LP450301	£54.99
LocPad anti-theft kiosk for Samsung Galaxy Tab A 9.7 (goose neck)	LPGN0301	£59.99
LocPad anti-theft kiosk for Samsung Galaxy Tab A 9.7 (floor stand)	LPFS0301	£89.99
With the camera and home button covered	Code	Price
LocPad anti-theft kiosk for Samsung Galaxy Tab A 9.7 (wall mount)	LPWM0302	£49.99
LocPad anti-theft kiosk for Samsung Galaxy Tab A 9.7 (30° mount)	LP300302	£54.99
LocPad anti-theft kiosk for Samsung Galaxy Tab A 9.7 (45° mount)	LP450302	£54.99
LocPad anti-theft kiosk for Samsung Galaxy Tab A 9.7 (goose neck)	LPGN0302	£59.99
LocPad anti-theft kiosk for Samsung Galaxy Tab A 9.7 (floor stand)	LPFS0302	£89.99



Samsung Galaxy Tab A 9.7"

Complete part code and price list

With the camera and home button exposed	Code	Price
LocPad anti-theft kiosk for Lenovo A10 Tab 2/3 A10 (wall mount)	LPWM0601	£49.99
LocPad anti-theft kiosk for Lenovo A10 Tab 2/3 A10 (30° mount)	LP300601	£54.99
LocPad anti-theft kiosk for Lenovo A10 Tab 2/3 A10 (45° mount)	LP450601	£54.99
LocPad anti-theft kiosk for Lenovo A10 Tab 2/3 A10 (goose neck)	LPGN0601	£59.99
LocPad anti-theft kiosk for Lenovo A10 Tab 2/3 A10 (floor stand)	LPFS0601	£89.99
With the camera and home button covered	Code	Price
LocPad anti-theft kiosk for Lenovo A10 Tab 2/3 A10 (wall mount)	LPWM0602	£49.99
LocPad anti-theft kiosk for Lenovo A10 Tab 2/3 A10 (30° mount)	LP300602	£54.99
LocPad anti-theft kiosk for Lenovo A10 Tab 2/3 A10 (45° mount)	LP450602	£54.99
LocPad anti-theft kiosk for Lenovo A10 Tab 2/3 A10 (goose neck)	LPGN0602	£59.99
LocPad anti-theft kiosk for Lenovo A10 Tab 2/3 A10 (floor stand)	LPFS0602	£89.99



Lenovo A10 Tab 2 10"
Lenovo A10 Tab 3 10"

Accessories	Code	Price
LocPad® Screw mounting base desk/wall	ADLOC115W	£4.99
LocPad® Landscape/portrait switch white	ADLOC116W	£12.99
LocPad® Rotate unit white	ADLOC117W	£12.99
LocPad® MicroUSB charging cable bent head 3m	ADCBC118	£9.99
LocPad® Lightning charging cable bent head 3m	ADCBC119	£14.99
1.5m high steel security cable with barrel lock for Kensington slot	ADASH128	£6.99



Accessories

Customised Kiosks

If you require something different such as coloured kiosks, printed logos, modifications to the chassis etc, please just give us a call. Our factory has rapid prototyping facilities and can create tailor made kiosks for your specific applications. Minimum order quantities are required but lower than you'd expect. Please contact our friendly team for more details.



Materials used

Enclosure:	HD ABS
Enclosure faceplate:	Steel (powder coated)
Tablet faceplate:	PMMA
Fit Kit:	TPE
Mounting tube:	Aluminum-Magnesium alloy
Mounting plate:	Steel (Nickel plated)